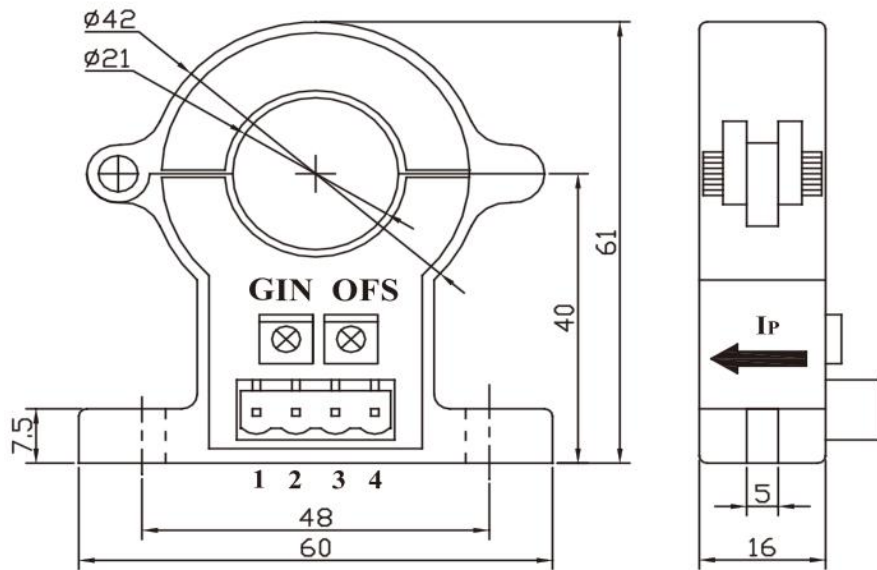


FS500EK1 系列霍尔可拆卸电流传感器



应用霍尔效应开环原理的电流传感器，能在电隔离条件下测量直流、交流、脉冲以及各种不规则波形的电流。
Open loop current sensor based on the principle of Hall-effect It can be used for measuring AC,DC,pulsed and mixed current.

电参数/Electrical characteristics								
	型号 Type	FS050EK1	FS100EK1	FS200EK1	FS300EK1	FS400EK1	FS500EK1	
I_p	原边额定输入电流 Primary nominal input current	50	100	200	300	400	500	A
I_p	原边电流测量范围 Measuring range of primary current	0~±100	0~±200	0~±400	0~±600	0~±800	0~±1000	A
V_{our}	副边额定输出电压 Nominal output voltage	4±1%						V
V_o	电源电压 Supply voltage	±12~±15(±5%)						V
°	电流消耗 Current consumption	V=±15V	<25					mA
V	绝缘电压 Insulation voltage	在原边与副边电路之间3kV有效值/50Hz/1分钟						
e	线性度 Linearity	<1						%FS
V_o	零点失调电压 Offset voltage	TA=25°C	<±25					mV
V_{ow}	磁失调电压 Residual voltage	$I_p \rightarrow 0$	<±25					mV
V_{or}	失调电压温漂 Thermal drift of V0	$I_p=0$ TA=-25~+85°C	<±1					mV/°C
T_r	响应时间 Response time	≤7						μs
f	频带宽度(-3dB) Frequency bandwidth(-3dB)	DC~20						kHz
T_A	工作环境温度 Ambient operating temperature	-40~+85						°C
T_s	贮存环境温度 Ambient storage temperature	-40~+100						°C
R	负载电阻 Load resistance	≥10K						Ω
m	质量(约) Quality (approx)	68						g
	标准 Standard	GI/FS-0105						
外形尺寸 (mm)/Dimensions of drawing(mm)								



引脚说明: 1,+12V 2,-12V 3,Vout 4,0V(电源地)OFS,零点调节GIN,幅度调节
Elucidation: 1:+12V 2:-12V 3:Vout 4:0V(GND)OFS:Zero adjustment GIN:Gain adjustment

使用说明/Remarks

- 1、错误的接线可能导致传感器损坏。传感器通电后，当被测电流从传感器箭头方向穿过，即可在输出端测得同相电压值。
Incorrect wiring may cause damage to the sensor. After the sensor is powered on, when the measured current passes through the arrow direction of the sensor, the in-phase voltage value can be measured at the output end.
- 2、传感器的输出幅度可根据用户需求进行适当的调节。
The output amplitude of the sensor can be adjusted according to the user's needs.
- 3、可按用户需求定制不同额定输入电流和输出电压的传感器。
Sensors with different rated input current and output voltage can be customized according to user requirements.